



CABLE GLANDS

CONTENTS

No.	Type	Page no.
01	A1/ A2 TYPE	02-03
02	BW-2 TYPE	04-05
03	BW-4 TYPE	06-07
04	EI-W TYPE	08-09
05	EI-FW TYPE	10
06	IP-68 TYPE	11-12
07	MARINE TYPE	13-14
08	PG TYPE	15-16
09	ACCESSORIES: LOCK NUTS EARTH TAGS REDUCERS AND STOP PLUGS PVC SHROUDS STAR WASHERS SEALS AND 'O' RINGS	17 18 19 20 21 21



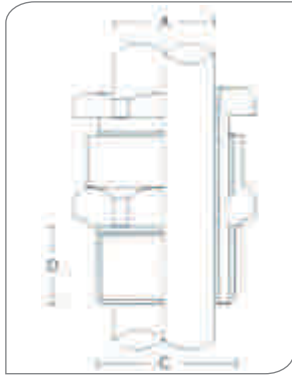
CABLE GLAND - A1/A2 TYPE:



Size	20 mm to 90 mm
Standard	EN 50262 : 1999
Application	Outdoor or Indoor for use with all types of Unarmoured Cable
Function	Provide Seal on Outer Sheath of the Unarmoured Cable
Material	Brass BS 2874 CZ121 Pb3
Optional Threads	METRIC, NPT, BSP, PG or as specified
Finish	Brass Finish, Nickel Finish, Chrome Finish or as specified
Operating temp.	Standard seals -20 ⁰ C to +80 ⁰ C
Accessories	Matching Accessories available like PVC Shrouds, Lock Nuts, Earth Tags, Reducers, Adaptors, etc. as per the requirement



TECHNICAL DATA OF AI/A2 TYPE



Size	Thread Size 'C'		Minimum Length of Thread 'D'	Cable Range	
	MM	INCH		MAX (A)	MAX (B)
A2 20S	20	3/4	15	10.80	8.80
A2 20L	20	3/4	15	14.70	11.40
A2 25S	25	1	15	16.00	13.00
A2 25L	25	1	15	20.30	17.30
A2 32S	32	1.1/4	15	23.00	20.00
A2 32L	32	1.1/4	15	26.20	24.20
A2 40S	40	1.1/2	20	29.00	26.00
A2 40L	40	1.1/2	20	34.00	29.50
A2 50S	50	2	20	41.00	33.00
A2 50L	50	2	20	45.00	38.00
A2 63S	63	2.1/2	20	51.50	44.00
A2 63L	63	2.1/2	20	56.50	50.00
A2 75S	75	3	20	63.20	56.00
A2 75L	75	3	20	68.50	62.00



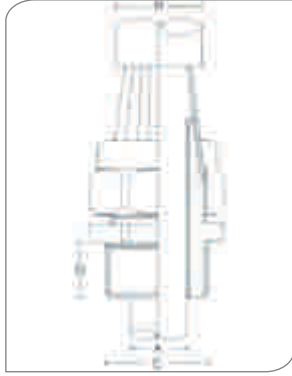
CABLE GLAND-BW-2



Size	20 mm to 90 mm
Standard	BS 6121
Application	Dry Indoor, for use with all types of SWA Cable
Function	Provide mechanical Cable Retention & Electrical Wire continuity via Armoured Wire.
Material	Brass BS 2874 CZ121 Pb3
Optional Threads	METRIC, NPT, BSP, PG or as specified
Finish	Brass Finish, Nickel Finish, Chrome Finish or as specified
Operating Temp.	-80 ⁰ C to +300 ⁰ C
Accessories	Matching Accessories available like PVC Shrouds, Lock Nuts, Earth Tag, Reducers, Adaptors, etc. as per the requirement



TECHNICAL DATA FOR BW-2 TYPE CABLE GLAND:



Size	Thread Size 'C'		Minimum Length of Thread 'D'	Cable Range	
	MM	INCH		MAX (A)	MAX (B)
BW 20S	20	3/4	10	13.00	15.50
BW 20L	20	3/4	10	14.00	18.50
BW 25L	25	1	10	20.50	26.00
BW 32L	32	1.1/4	10	27.00	33.90
BW 40L	40	1.1/2	15	33.00	41.50
BW 50S	50	2	15	38.50	47.00
BW 50L	50	2	15	44.00	52.00
BW 63S	63	2.1/2	15	51.00	59.20
BW 63L	63	2.1/2	15	56.50	65.50
BW 75S	75	3	15	63.00	74.00
BW 75L	75	3	15	68.50	79.50
BW 90L	90	3.1/2	20	80.50	91.00



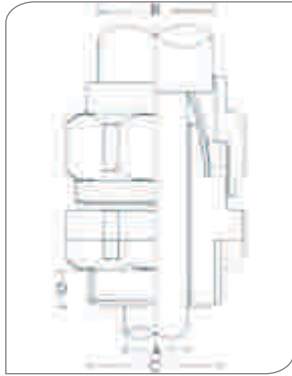
CABLE GLAND - BW -4



Size	20 mm to 90 mm S & L
Standard	BS 6121
Application	Dry Indoor, for use with all types of SWA Cable
Function	Provide mechanical Cable Retention & Electrical Wire continuity via Armoured Wire.
Material	Brass BS 2874 CZ121 Pb3
Optional Threads	METRIC, NPT, BSP, PG or as specified
Finish	Brass Finish, Nickel Finish, Chrome Finish or as specified
Operating Temp.	-80 ⁰ C to +300 ⁰ C
Accessories	Matching Accessories available like PVC Shrouds, Lock Nuts, Earth Tag, Reducers, Adaptors, etc. as per the requirement



TECHNICAL DATA FOR BW-4TYPE CABLE GLAND:



Size	Thread	Length	A	B	A/F	A/C
20S	M20	10.00	13.00	18.00	23.50	26.00
20L	M20	10.00	14.00	21.00	25.00	28.00
25S	M25	10.00	18.00	24.00	31.00	35.50
25L	M25	10.00	20.50	27.00	33.00	37.00
32S	M32	10.00	27.00	33.50	40.50	45.50
32L	M32	10.00	27.00	33.50	40.50	45.50
40S	M40	13.00	31.50	39.50	45.50	50.50
40L	M40	13.00	33.00	41.50	49.00	55.00
50S	M50	13.00	39.50	48.50	56.50	63.50
50L	M50	13.00	44.50	54.50	62.50	70.50
63S	M63	14.00	50.20	59.20	68.80	77.00
63L	M63	13.50	56.50	65.50	76.00	86.00
75S	M75	15.00	63.50	72.00	84.00	94.50
75L	M75	15.00	69.50	78.50	90.00	101.00
90S	M90	20.00	76.00	85.00	100.00	111.20
90L	M90	18.00	78.40	90.50	103.00	115.00



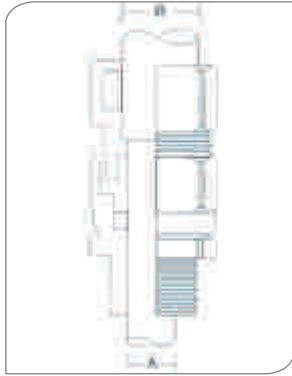
CABLE GLAND - EI-W



Size	20 mm to 90 mm S & L
Standard	EN 50262 : 1999
Application	For indoor or outdoor use with all types of SWA Cable
Function	Provide for Environmental Seal in the Cable Outer sheath. Also, provide mechanical cable retention & electrical continuity
Material	Brass BS 2874 CZ121 Pb3
Optional Threads	METRIC, NPT, BSP, PG or as specified
Finish	Brass Finish, Nickel Finish, Chrome Finish or as specified
Operating Temp.	Standard seals -20 ⁰ C to +80 ⁰ C
Accessories	Matching Accessories available like PVC Shrouds, Lock Nuts, Earth Tag, Reducers, Adaptors, etc. as per the requirement



TECHNICAL DATA FOR EI-WTYPE CABLE GLAND:



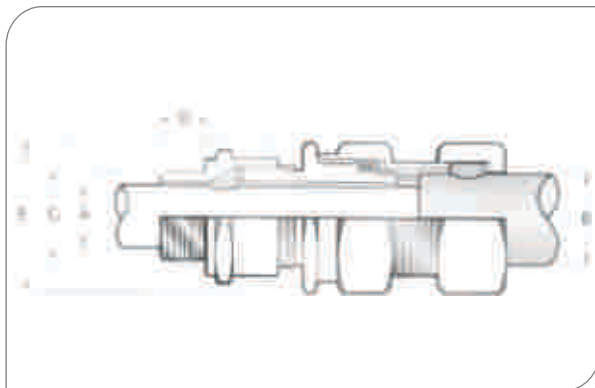
Size	Thread	Length	A	B	A/F	A/C
20S	M20	15.00	12.00	16.00	22.20	24.20
20L	M20	15.00	14.00	20.50	27.00	29.50
20/16	M20	15.00	9.00	14.00	22.20	24.20
25S	M25	15.00	18.50	24.50	33.50	37.50
25L	M25	15.00	20.50	27.50	36.00	40.00
32S	M32	10.40	24.30	34.00	43.00	48.50
32L	M32	15.00	26.27	34.20	43.50	48.50
40S	M40	15.00	29.50	41.50	52.00	58.00
40L	M40	15.00	33.00	41.50	52.00	58.00
50S	M50	15.00	38.50	47.00	59.00	65.50
50L	M50	15.00	44.30	53.20	64.20	71.50
63S	M63	20.00	50.20	62.50	73.50	81.50
63L	M63	20.00	56.20	65.50	79.50	89.00
75S	M75	20.00	62.00	74.00	87.00	97.00
75L	M75	20.00	68.00	78.20	97.00	108.00
90L	M90	18.50	80.00	91.00	103.50	114.50



CABLE GLAND - EI -FW

Standard	EN 50262 : 1999
Application	This type of Cable Glands are suitable for indoor and outdoor use, appropriate for single wire armoured, plastic or rubber sheathed cable. Provides grip to the cable with outer and inner seals. Used popularly in most climatic conditions. Weatherproof and waterproof.
Ingress Protection	IP 66
Material	Brass
Finish	Plain Brass or Nickel Plated

TECHNICAL DATA FOR EI-FWTYPE CABLE GLAND:



Size	Thread Size 'C'	Thread Length 'D'	Cable Range		A/F	A/C
			MAX (A)	MAX (B)		
20S	M20	15.00	12.00	15.00	24.00	26.80
20L	M20	15.00	14.25	21.00	27.50	30.50
25L	M25	15.00	20.15	26.50	36.60	40.80
32L	M32	15.00	26.50	34.50	45.50	51.00
40L	M40	15.00	32.50	47.00	52.00	59.00
50S	M50	15.00	38.50	46.50	60.50	67.00
50L	M50	15.00	44.50	53.25	69.00	78.50
63S	M63	15.00	52.00	59.50	76.00	84.50
63L	M63	15.00	56.50	65.50	79.50	89.00
75S	M75	15.00	62.00	74.00	79.50	88.50
75L	M75	15.00	68.50	78.50	96.00	108.00



CABLE GLAND - IP 68o



Specification: Item Brass IP68 Universal Cable Gland

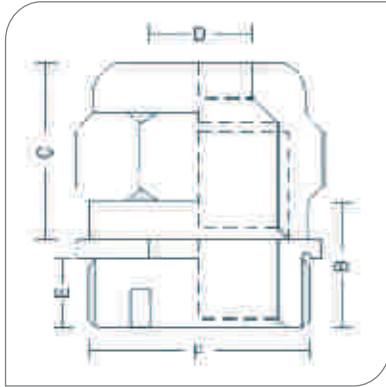
Technical Information	Material
Body with Lock Nuts	Nickel Plated Brass
Insert	Polyamide - 6
Sealing Ring	Neoprene
O - Ring	Perbunan

Additional Features :

- With Vibration Lock and Strain Relief Protection Class IP 68-5 Bar
- Temperature Range : -300° to $+900^{\circ}$ C



TECHNICAL DATA FOR IP68TYPE CABLE GLAND:



Size	Clamping Range	Thread Length (in mm)
PG-7	2-6.50	6.00
PG-9	3-8.00	6.00
PG-11	4-10.00	6.00
PG-13.5	5-12.00	8.00
PG-16	8-14.00	8.00
PG-21	11-18.00	8.00
PG-29	16-25.00	9.00
PG-36	20-30.00	9.00
PG-42	28-38.00	12.00
PG-48	34-44.00	12.00
M12	2-6.50	6.00
M16	3-8.00	6.00
M20	5-12.00	8.00
M25	11-18.00	8.00
M32	12-21.00	8.00
M40	18-27.00	9.00
M50	27-33.00	9.00
M63	34-48.00	12.00



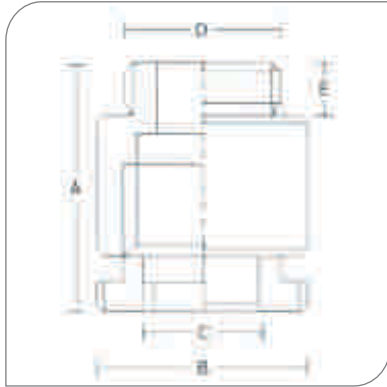
CABLE GLAND-MARINE



Size	10 mm to 90 mm
Application	Outdoor or Indoor for use with all types of braided or unarmoured Marine electrical cable fittings
Optional Thread	IP54 IP66
Ingress Protection	ISO Metric, NPT, NPS, BSP, BSPT, PG
Finish	Chrome Finish, Brass Finish, Nickel Finish or as specified
Material	Brass BS 2874 CZ121 Pb3
Sizes	Metric from 10 mm to 60 mm in JIS, PG 7 to PG 48 in DIN from M 16 to M 90 in BS



TECHNICAL DATA FOR MARINETYPE CABLE GLAND:



Size	A	B	C	D	E	F	G	H	I
10	45.00	21.50	10.00	3/8" BSP	11.00	5.00	28.00	22.00	4.00
15	50.00	27.50	15.00	1/2" BSP	11.00	5.00	31.20	26.20	4.00
20	53.00	33.50	20.00	3/4" BSP	10.00	5.00	37.00	32.00	6.00
25	60.00	41.50	25.00	1" BSP	11.00	6.00	46.00	40.00	6.00
30	65.00	49.50	30.00	1.1/4" BSP	12.00	6.00	56.00	48.00	8.00
35	70.00	55.50	40.00	1.1/2" BSP	12.00	6.00	63.000	55.00	8.00
40	70.00	55.50	40.00	1.1/2" BSP	12.00	6.00	63.00	55.00	8.00
45	85.00	69.50	50.00	2" BSP	12.00	6.00	76.00	67.00	10.00
50	85.00	69.50	50.00	2" BSP	12.00	6.00	76.00	67.00	10.00
55	87.00	85.50	60.00	2.1/2" BSP	12.00	6.00	95.00	86.00	10.00
60	88.00	85.50	60.00	2.1/2" BSP	12.00	6.00	95.00	86.00	10.00
65	100.00	99.50	70.00	3" BSP	14.00	6.00	112.00	100.00	12.00
70	110.00	99.50	70.00	3" BSP	14.00	6.00	112.00	100.00	12.00



CABLE GLAND - PG



Size	PG 7 to PG 48
Standard	EN 50262 : 1999
Application	Outdoor or Indoor for use with all types of Unarmoured Cable
Function	Provide Seal on Outer Sheath of the Unarmoured Cable
Ingress Protection	IP65
Material	Brass BS 2874 CZ12I Pb3
Finish	Chrome Finish, Brass Finish, Nickel Finish or as specified
Thread	PG and also available in Metric Threads on request
Seals	Neoprene Material
Operating Temp.	-20 ⁰ C to +80 ⁰ C
Accessories	Matching Accessories available liNeoprene Material ke PVC Shrouds, Lock Nuts, Earth Tags, Reducers, Adaptors, etc. as per the requirement



TECHNICAL DATA FOR PGTYPE CABLE GLAND:

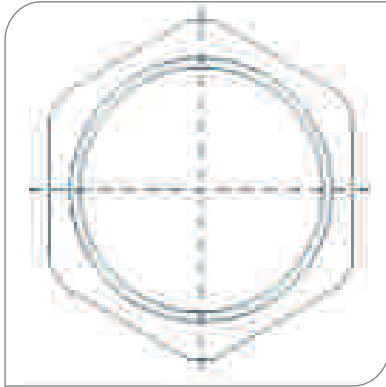


Size	A	B	C	D	E	F	G
PG-7	14.00	15.50	20.50	PG-7	10.00	5.00	15 ⁰
PG-9	18.00	20.00	23.50	PG-9	12.50	6.00	15 ⁰
PG-11	20.00	22.00	26.50	PG-11	15.00	6.50	15 ⁰
PG-13	23.00	25.00	27.00	PG-13	16.75	7.10	15 ⁰
PG-16	25.00	27.80	28.00	PG-16	18.50	6.50	15 ⁰
PG-21	31.00	34.00	31.00	PG-21	24.10	7.10	15 ⁰
PG-29	41.50	45.20	34.00	PG-29	32.10	8.50	15 ⁰
PG-36	51.00	56.50	40.00	PG-36	43.00	10.00	15 ⁰
PG-42	58.50	63.75	43.00	PG-42	47.50	10.00	15 ⁰
PG-48	64.00	70.50	47.00	PG-48	52.25	10.00	15 ⁰



CABLE GLAND - ACCESSORIES

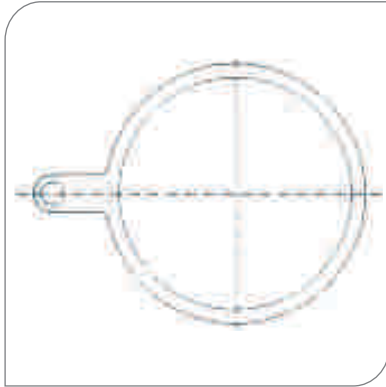
LOCK NUTS



Application: Brass	Brass Locknuts re traditional components used in fastening glands to the gland plate & as they are identical material to the gland, corrosion effects are minimal.
Function: Standard	With ISO metric thread. To secure only brass cable glands to a gland plate
EMC	With ISO metric thread with cutting edges to cut through paint layers or powder coatings, for optimum contact.
Material	Brass BS 2874 CZ12I Pb3 Steel, Galvanized Aluminium Alloy (BS 1476)
Options	
Thread	ET NPT BSP BSPT PG
Plating	Chrome (CP) Nickel (NP) Tin (TP)



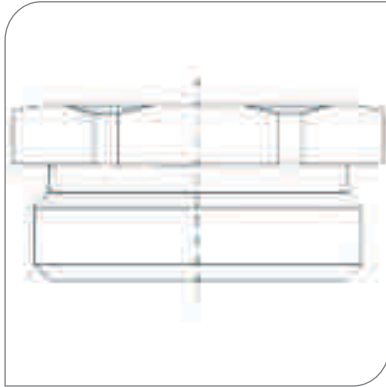
BRASS EARTH TAGS:



Application	Installed between the gland entry & equipment, provides an earth bond connection
Function	Produces an earth bond connection for electrical continuity
Material	Brass BS 2870 CZ123 lead
Options	
Type	With Brass Screws & Washers, Plain Hole
Plating	Nickel (NP) Chrome (CP) Zinc (ZP) Tin (TP)
Material	Brass
Shape	Available in many shapes & thickness in all sizes, can be coated or plated to customers specification as mentioned.



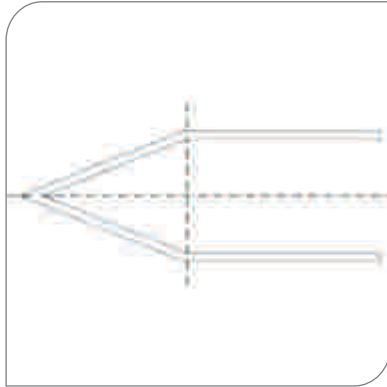
HEXAGONAL REDUCERS AND STOP PLUGS :



Application	Reducer allows a PG threaded gland to be terminated in enclosures with different entry thread form (ET NPT BSP BSPT)
Function	Reduce the entry thread diameter of enclosures
Material	Brass BS 2874 CZ12I Pb3
Finish	Electro Nickel Plated
Options	
Thread	Metric (ISO) ET NPT BSP BSPT
Plating	Chrome (CP) Zinc (ZP) Tin (TP)
Material	Brass Casting BS 2874 Aluminium Alloy & Galvanized Steel
Application	Stop Plug may be used to close thread entries or means of sealing & stopping unused thread entries In flame proof enclosures
Ingress Protection	IP66 (with Nickel Thread Seal) IP368 (3-barwith Nitrite 'O' Rings)
Options Thread	ET NPT BSP BSPT & PG



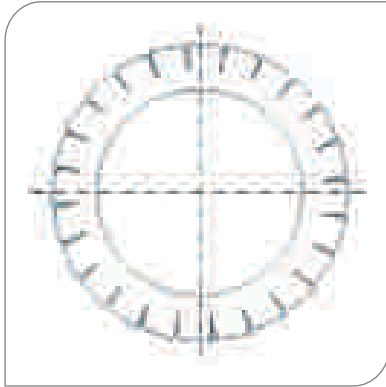
PVC SHROUDS :



Application:	Push on shrouds which are used to minimize the risk of dirt or foreign substances gathering on the Cable Gland Body, and/or point of cable to a gland interface.
Function:	For all types of gland applications to provide additional protection & enhances the IP rating of the gland termination.
Material	PVC DIP moulded (Black)
Operating Temp	PVC DIP moulded -20 ⁰ C to +100 ⁰ C
	Injection moulded - 20 ⁰ C to +80 ⁰ C

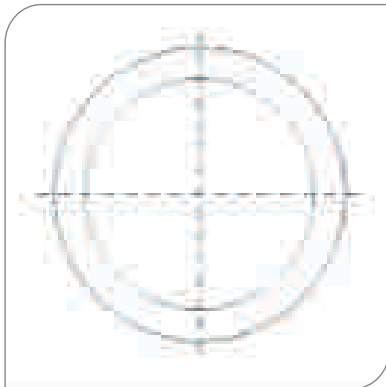


STAR WASHERS:



Application	The serrated lock washer with external teeth for cable glands
Material	Available in Brass & Stainless Steel & Steel
Size	From M 20 to M 63
Can be developed as per the drawing also	

SEALS AND 'O' RINGS:



Application	To maintain the IP rating between equipment & cable glands it may be necessary to fit an entry thread sealing washer at the gland entry interface.
Material	Nitrite Rubber & EPDM
Size	PVC (Black) Silicon (Orange) Polyamide or Nylon (White) Red Fibre.
Seals available for both external of & internal use.	